




MODEL SB1038F

16" X 40" LATHE 440V w/DRO

Manual Insert

PHONE: (360) 734-1540 • www.southbendlathe.com



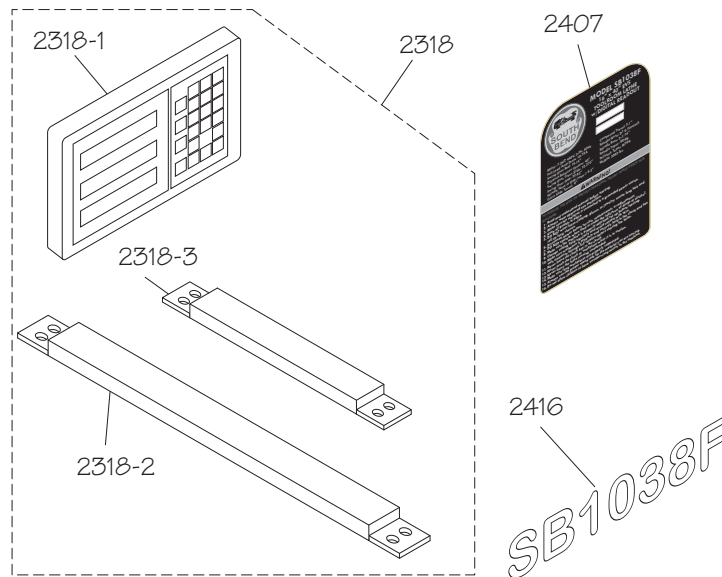
The Model SB1038F Lathe is the same machine as the Model SB1038 except for the following:

- Added a 2-Axis Fagor Digital Readout (DRO).

Except for the differences noted in this insert, all other content in the Model SB1038 Owner's Manual applies to this machine. Before operating your new lathe, you **MUST** read and understand this insert, the entire Model SB1038 Owner's Manual, and the Fagor DRO Owner's Manual to reduce the risk of injury when using this machine. Keep this insert for later reference.

If you have any further questions about this manual insert or the differences between the Model SB1038F and the Model SB1038, contact our Technical Support at (360) 734-1639 or email sales@southbendlathe.com.

New & Changed Parts



REF	PART #	DESCRIPTION
2318	PSB1037F2318	DRO ASSEMBLY FAGOR 2-AXIS
2318-1	PSB1014F2318-1	DRO DISPLAY FAGOR 20-iT
2318-2	PSB1037F2318-2	DRO X-AXIS SCALE FAGOR MKT-102

REF	PART #	DESCRIPTION
2318-3	PSB1014F2318-3	DRO Y-AXIS SCALE FAGOR MKT-27
2407	PSB1038F2407	MACHINE ID LABEL
2416	PSB1038F2416	MODEL NUMBER LABEL

Copyright © June, 2011 by South Bend Lathe Co.
WARNING: No portion of this manual may be reproduced without written approval.
 #BL14238 Printed in USA



Model SB1038F

South Bend 16" x 40" Lathe 440V with DRO

Product Dimensions

Weight..... 3107 lbs.
 Width (side-to-side) x Depth (front-to-back) x Height..... 86 x 33 x 61 in.
 Footprint (Length x Width)..... 82 x 19-1/2 in.

Shipping Dimensions

Type..... Wood Slat Crate
 Content..... Machine
 Weight..... 3374 lbs.
 Length x Width x Height..... 94 x 45 x 69 in.

Electrical

Power Requirement..... 440V, 3-Phase, 60 Hz
 Full-Load Current Rating..... 10.75A
 Minimum Circuit Size..... 15A
 Inverter Type..... Yaskawa G7A25P5
 Switch..... Magnetic with Thermal Protection
 Switch Voltage..... 440V
 Plug Included..... No
 Recommended Plug/Outlet Type..... Hardwire to Locking Disconnect Switch

Motors

Main

Type..... TEFC Induction
 Horsepower..... 7-1/2 HP
 Voltage..... 440V
 Phase..... 3-Phase
 Amps..... 10A
 Speed..... 0 – 4500 RPM
 Cycle..... 60 Hz
 Number of Speeds..... Variable
 Power Transfer V-Belt & Gear
 Bearings..... Shielded and Permanently Sealed

Lubrication

Type.....	TEFC Induction
Horsepower.....	1/4 HP
Voltage.....	440V
Phase.....	3-Phase
Amps.....	0.6A
Speed.....	1725 RPM
Cycle.....	60 Hz
Number of Speeds.....	1
Power Transfer	Direct Drive
Bearings.....	Shielded and Permanently Sealed

Coolant

Type.....	TEFC Induction
Horsepower.....	1/8 HP
Voltage.....	440V
Phase.....	3-Phase
Amps.....	0.15A
Speed.....	3450 RPM
Cycle.....	60 Hz
Number of Speeds.....	1
Power Transfer	Direct Drive
Bearings.....	Shielded and Permanently Sealed

Main Specifications**Operation Info**

Swing Over Bed.....	16.14 in.
Distance Between Centers.....	40 in.
Swing Over Cross Slide.....	10.375 in.
Swing Over Saddle.....	15.67 in.
Swing Over Gap.....	22.95 in.
Maximum Tool Bit Size.....	0.75 in.
Compound Travel.....	5.1 in.
Carriage Travel.....	38.58 in.
Cross Slide Travel.....	9.25 in.

Headstock Info

Spindle Bore.....	2.0625 in.
Spindle Taper.....	MT#6
Number of Spindle Speeds.....	Variable
Spindle Speeds.....	20 – 2500 RPM
Spindle Type.....	D1-6 Camlock
Spindle Bearings.....	NSK or NTN Tapered Roller
Spindle Length.....	24.24 in.
Spindle Length with 3-Jaw Chuck.....	30.31 in.
Spindle Length with 4-Jaw Chuck.....	34.08 in.

Tailstock Info

Tailstock Quill Travel.....	6 in.
Tailstock Taper.....	MT#4
Tailstock Barrel Diameter.....	2.047 in.

Threading Info

Number of Longitudinal Feeds.....	17
Range of Longitudinal Feeds.....	0.002 – 0.067 in.
Number of Cross Feeds.....	17
Range of Cross Feeds.....	0.001 – 0.034 in.
Number of Inch Threads.....	45
Range of Inch Threads.....	2 – 72 TPI
Number of Metric Threads.....	39
Range of Metric Threads.....	0.2 – 14 mm
Number of Modular Pitches.....	18
Range of Modular Pitches.....	8 – 44 MP
Number of Diametral Pitches.....	21
Range of Diametral Pitches.....	8 – 44 DP

Dimensions

Bed Width.....	10-1/4 in.
Leadscrew Diameter.....	1-1/8 in.
Leadscrew TPI.....	4
Leadscrew Length.....	63.58 in.
Steady Rest Capacity.....	5/16 – 4-5/16 in.
Follow Rest Capacity.....	5/8 – 3-1/8 in.
Faceplate Size.....	12 in.
Feed Rod Diameter.....	3/4 in.
Floor to Center Height.....	43-1/2 in.
Height With Leveling Jacks.....	44-1/2 in.

Construction

Base.....	Cast Iron
Headstock.....	Cast Iron
Headstock Gears.....	Flame Hardened Steel
Bed.....	Induction Hardened and Ground Cast Iron
Stand.....	Cast Iron

Other

Country Of Origin	Taiwan (Some Components Made in USA and Japan)
Warranty	1 Year
Serial Number Location	ID Label on Rear Side of Left Stand
Assembly Time	Approximately 1 Hour

Features

Allen Bradley Electrical Components
 Fagor DRO
 Meehanite Casting, Signature South Bend 3 V-Way Bed
 Safety Chuck Guard with Micro-Switch Shut-Off
 Halogen Work Light
 4-Way Tool Post
 Complete Coolant System
 Micrometer Carriage Stop
 Threading Dial Indicator
 NSK or NTN Japanese Spindle Bearings
 Full Length Splash Guard
 Front Removable Sliding Chip Tray
 Yaskawa G7A25P5 Inverter
 Completely Enclosed Universal Gearbox for Cutting Inch, Metric, Modular and Diametral Pitches
 Pressurized Lubrication System for Headstock Gears and Bearings
 Dial Controlled, Variable Spindle Speeds with Digital Read Out